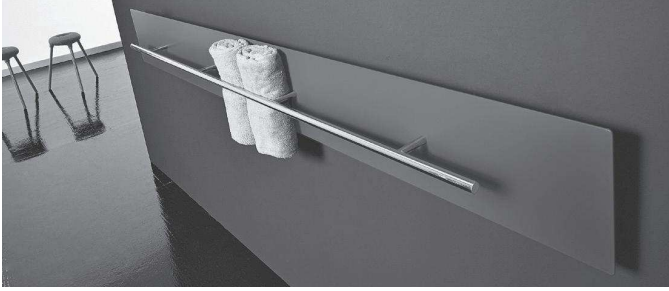
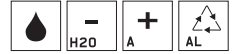


Teso O

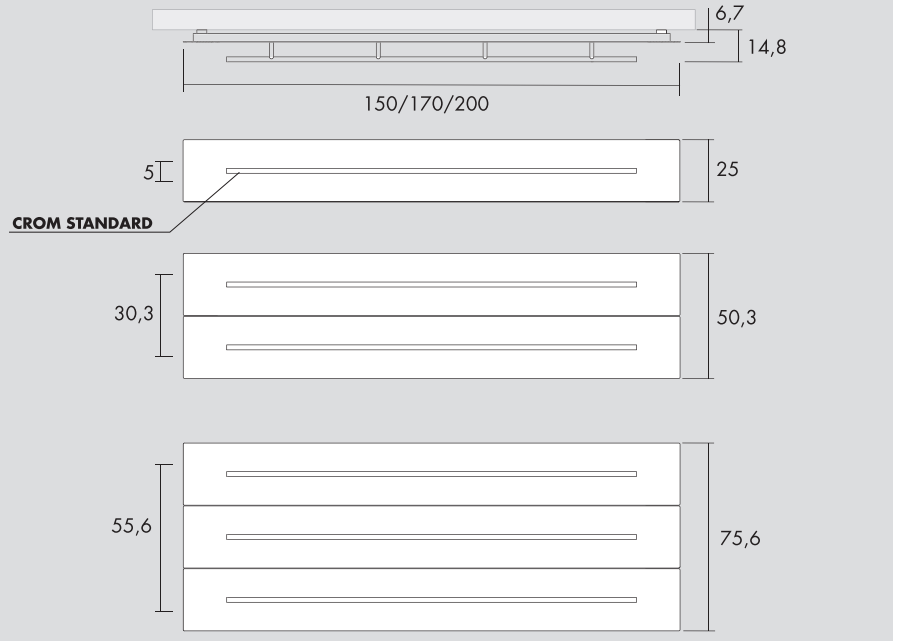
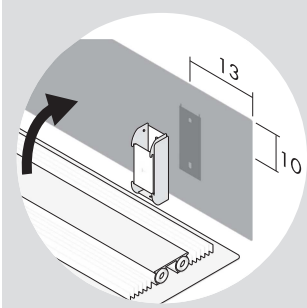
DESIGN DANTE O. BENINI & LUCA GONZO



Kcal = Watt x 0.860
BTU = Watt x 3.413

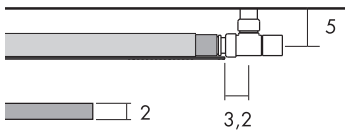
Watt Δt 60° = Watt Δt 50° x 1.252
Watt Δt 40° = Watt Δt 50° x 0.759
Watt Δt 30° = Watt Δt 50° x 0.532
Watt Δt 20° = Watt Δt 50° x 0.323

p max = 6.5 bar



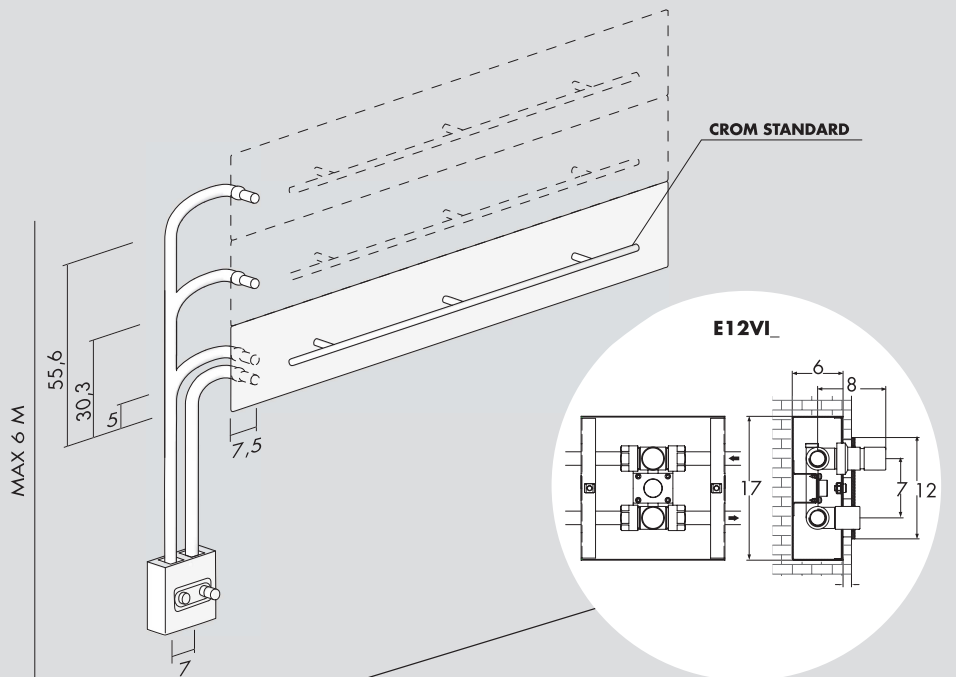
[F]

Standard connection / Raccord standard
Standard Anschluss / Conexión estándar



[H]

Special connection / Raccord spéciale / Speziell Anschluss / Conexión especial



Built-in valves
Vanne encastrer
Einbauventile
Válvulas de empotrar

Teso O

H cm	L cm	l* cm	art*	Lt*	watt Δt 30°	watt Δt 50°
25.0	150.0	5.0	TSO150001_	1.1	182	343
50.3	150.0	30.3	TSO150002_	2.3	365	687
75.6	150.0	55.6	TSO150003_	3.5	548	1 030
25.0	170.0	5.0	TSO170001_	1.2	207	390
50.3	170.0	30.3	TSO170002_	2.5	415	781
75.6	170.0	55.6	TSO170003_	3.9	623	1 171
25.0	200.0	5.0	TSO200001_	1.4	244	459
50.3	200.0	30.3	TSO200002_	2.9	488	918
75.6	200.0	55.6	TSO200003_	4.4	733	1 377



Teso O CRSM

Aluminium radiator sanded by hand
 Radiateur en aluminium poncé à la main
 Heizkörper aus Aluminium von Hand polierter Edelplatte
 Radiador en aluminio pulido artesanalmente

H cm	L cm	l* cm	art*	Lt*	watt Δt 30°	watt Δt 50°
25.0	150.0	5.0	TSO150001_	1.1	182	343
50.3	150.0	30.3	TSO150002_	2.3	365	687
75.6	150.0	55.6	TSO150003_	3.5	548	1 030
25.0	170.0	5.0	TSO170001_	1.2	207	390
50.3	170.0	30.3	TSO170002_	2.5	415	781
75.6	170.0	55.6	TSO170003_	3.9	623	1 171
25.0	200.0	5.0	TSO200001_	1.4	244	459
50.3	200.0	30.3	TSO200002_	2.9	488	918
75.6	200.0	55.6	TSO200003_	4.4	733	1 377

CRSM Brushed chrome / Chrome brossé
 Gebürstet Chrome / Cromo cepillado

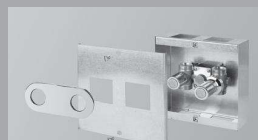
Optional



(P* = 224)

Reverse Valve
 Vanne reverse
 Reverse Ventil
 Válvula a escuadra inversa

[BIAN] **E12RVB**
 [CROM] **E12RVR**



(P* = 225)

Built-in valves
 Vanne encastrer
 Einbauventile
 Válvulas de empotrar

[BIAN] **E12VIB**
 [CROM] **E12VIR**



Δ (P* 226)

Thermostatic head
 Tête thermostatique
 Thermostatkopf
 Cabezal termostático

[BIAN] **TTB**
 [CROM] **TTR**



(l* = 5 cm)

Sleeving kit
 Kit couvre tuyau
 Rosetten
 Kit cubre tubo

[BIAN] **C5B**
 [CROM] **C5R**



$\varnothing \leq 16$ mm
 [BIAN] **CTB**
 [CROM] **CTR**
 $16 \text{ mm} < \varnothing < 24$ mm
 [BIAN] **CWB**
 [CROM] **CWR**



Towel bar
 Porte-serviettes
 Handtuchhalter
 Porta toallas

Teso 1
 [CROM] STANDARD
 [COLOUR] **STC1**
 [GOLD] **STG1**

Teso 2
 [CROM] STANDARD
 [COLOUR] **STC2**
 [GOLD] **STG2**

Teso 3
 [CROM] STANDARD
 [COLOUR] **STC3**
 [GOLD] **STG3**

art* = item / modèle / Artikel / artículo **l*** = pipe centres / distance entre depart et retour / Achsabstand / distancia entre las conexiones
Lt* = water content for each element / volume d'eau pour chaque element / Wassergehalt für Element / contenido de agua por cada elemento
P* = page / page / Seite / página